

INFINITY 5070

THE HIGH PRODUCTIVITY SYSTEM FOR CO₂ LASER MARKING
AND CUTTING UP TO 700X500 MM



- The high productivity **Infinity 5070** laser workstation with rotary table is the ideal solution for marking, engraving and cutting paper, cardboard, genuine and synthetic leather, natural and synthetic textiles, denim, rubber, wood, acrylics, acetates, organic and sensitive materials to the CO₂ wavelength in general on large areas up to 700x500 mm.
- **Infinity 5070** and its innovative **iScan** scanning head with digital electronics designed and manufactured by SEI Laser allows outstanding laser beam quality (spot diameter <0.35 mm) for the best cutting performances up to 700x500 mm working area. High performance dynamic beam-expander actuated by linear or galvanometric motor, enables best in class high marking speed.
- The internal **iEye** vision system enables the correct centering of the working path to the real position of the piece in process (optional).
- With **Infinity 5070** is possible to optimize the laser productivity thanks to the large rotary table controlled by software and thanks to loading and unloading activities, in masked time.
- CO₂ sealed laser sources (maintenance-free) selected by SEI Laser provide **Infinity 5070** with maximum reliability and high quality performances.
- **Infinity 5070**, a Class 1 laser product, complies with the international standard IEC EN 60825/1.

THE LASER WAY





Leather



Paper



Synthetic leather



Cardboard

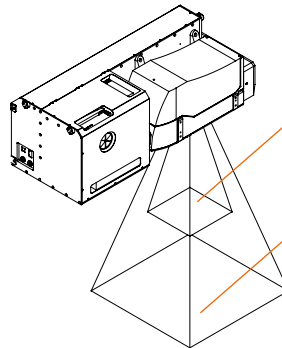
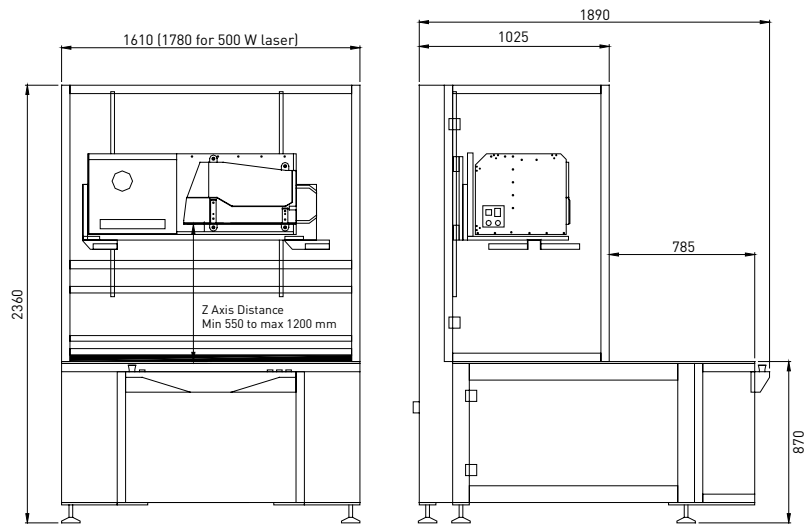


Plastics with registration markers

Main technical features:	150 W	300 W	500 W
Laser technology CO ₂	Sealed excited by RF discharged		
Wave length [µm]	10.6		
Max peak power [W]	> 330	> 700	> 1200
Pulse repetition frequency [kHz]	0.1-100		
Beam quality factor M ²	< 1.2		
Spot diameter [µm]	≈220 (area 500x400 mm) ≈330 (area 700x500 mm)		
Cooling	Water (closed loop)		
Work area [mm]	Up to 700x500 mm		
Writing speed [m/s]	≤ 6		
Control unit (option)	PC Windows™ based with embedded Icaro SW		
Size [mm]	1610 x 1890 x 2360		
Weight [Kg]	950	1050	1150
Norm compliance	2006/95/CE Low Voltage Directive 2006/42/CE Machinery Directive 2004/108/CE Electromagnetic Compatibility Directive IEC EN 60825-1 Laser Safety		



02/2016



Min working area = 500x400 mm
Focus distance = 640 mm
Spot diameter = ≈220 µm

Max working area = 700x500 mm
Focus distance = 940 mm
Spot diameter = ≈330 µm

The system is CE certified.
The features and the specifications of the system may change without notice.