



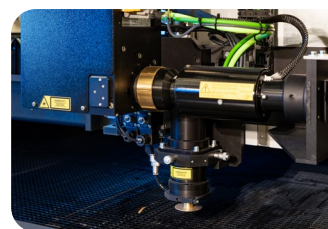
PERSONAL BRAVO

Two different technologies for high application flexibility and productivity.

- **Personal Bravo** is a CO₂ laser flatbed plotter designed to combine high-quality cutting, typical of plotter systems, with high-speed marking and engraving, typical of systems with galvanometric head.
- It is equipped with a cutting head and a scanning galvanometric head which has three interpolated axes and a controlled axis. The presence of both technologies, makes Personal Bravo unique for application flexibility and productivity by saving time.
- It is a plotter system with high precision movement through recirculating ball screw and brushless motors.
- **Personal Bravo** is designed for high-quality cutting of thick materials, as well as for high-speed marking and engraving.
- **Personal Bravo** also guarantees the highest quality cutting or perforation of thin materials with a working area up to 2000x3000 mm and laser power up to 800 W.
- **Personal Bravo** allows you to mark large format sheet materials thanks to Bravo mode that enables you to process each part of the sheet one by one and in sequence.
- It is also available with conveyor for roll material processing.
- Industry 4.0 Ready: full digital workflow integration.



Scanning laser head



Conveyor

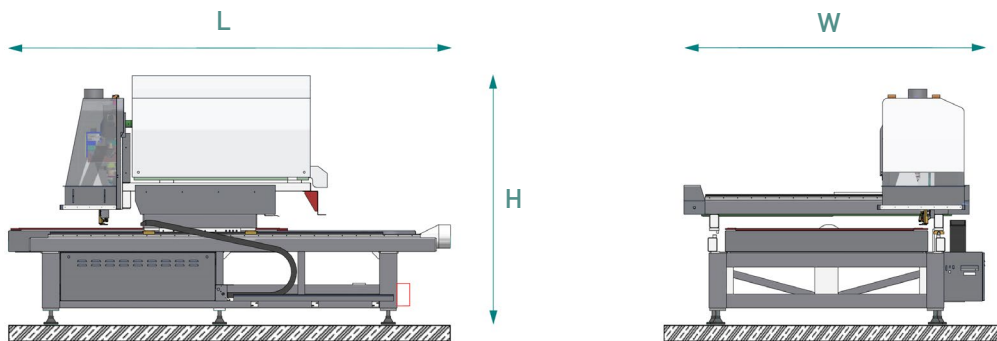




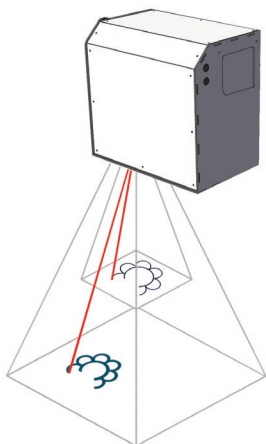
PERSONAL BRAVO

Main technical features:

Available models	1520	1531	2031
Working area	1550x2000 mm	1550x3100 mm	2000x3100 mm
Max. material thickness to be processed	100 mm		
Max. load capacity	80 kg/m ²		
Laser power	up to 800 W		
Focal units	3,75"	5"	10"
Max. X-Y axes movement speed	500 mm/s		
Accuracy	+/-0,05 mm/m		
Repeatability	+/-0,02 mm		
Single marking area	From 200x200 to 400x400 mm		
Max. working area (Bravo mode)	1550x2000 mm	1550x3100 mm	2000x3100 mm
Software interface	CAM Icaro on Windows™ platform		
Norm compliance	2014/35/EU Low Voltage Directive		
	2006/42/CE Machinery Directive		
	2014/30/EU Electromagnetic Compatibility Directive		
	IEC EN 60825-1 Laser		



	1520	1531	2031
L	3850 mm	4950 mm	4950 mm
W	2600 mm	2600 mm	3200 mm
H	1950 mm	1950 mm	1950 mm



Min. working area 200x200 mm

Spot Diameter 0,22 mm

Max. working area 400x400 mm

Spot Diameter 0,4 mm

Plexiglas



Wood



SEI S.p.A. Via R. Ruffilli, 1 - 24035 Curno (BG) - Italy

T. +39 035 4376016 - F. +39 035 463843 - info@seilaser.com - www.seilaser.com