



GEMINI

The outstanding digital printing station ensuring three dimensional finishing on paper and folding carton

- **Gemini** is a stand alone 3D Printer that creates male/female plates useful for creasing and embossing, to be mounted on SEI Laser's PaperOne systems.
- **Gemini** allows to create your own plates at home, in a precise way, without suppliers: no limits in shapes, on a working area of 800x1160mm.
- **Gemini's** creasing male/female process is more flexible, as well as more accurate than any other traditional creasing system. It guarantees the highest quality currently on the market.
- The entire selective laser sintering (SLS) process is digital: nylon powders are delivered on the bed, sintered and then cleaned accordingly.
- **Gemini** is also able to create state-of-the-art, and customizable plates for linear, rounded, and curved creasing as well as braille, and 2,5D & 3D embossing.
- **Gemini** is equipped with SEI Gemini Software, which is able to import .pdf, .dxf, and .lft files to be processed: the workflow executes these latter automatically. SEI Gemini is highly intuitive and user-friendly.
- The creasing plates can be recycled and powders have an extremely low impact on the environment.

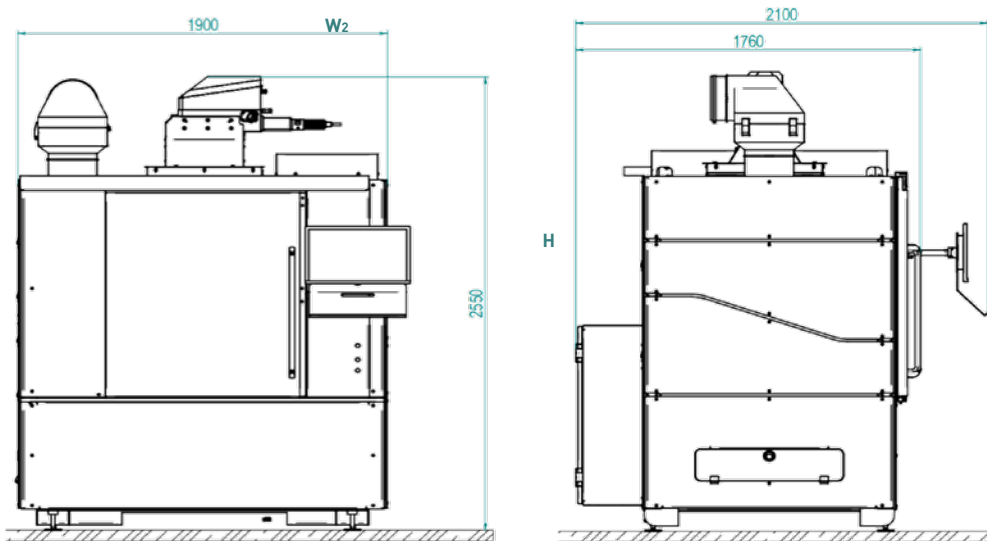




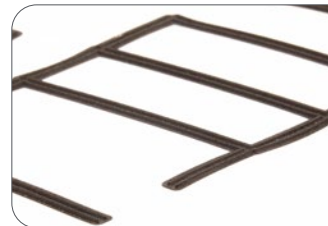
GEMINI

Main technical features:

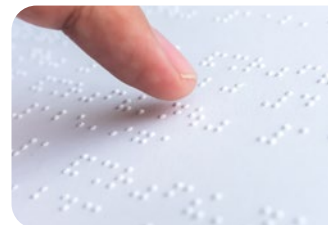
SINTERING PROCESS		
Technology	Selective Laser Sintering (SLS)	
Build volume (WxDxH, mm)	1160x800x3	
Layer thickness (µm)	100	
Laser type	Yb:YAG – Fiber	
Powder type	Nylon (PA 12)	
Max. marking speed (m/s)	up to 20	
Position resolution (µm)	X-Y: 20	Z: <10
PLATES		
Size (mm)	B1+: 800x1160	B2+:550x800
Thickness (mm)	0,5 (±3%)	
Sintering area (mm)	B1+: 780x1115	B2+:530x755
SOFTWARE & HARDWARE CONTROL		
Control application	SEI Gemini Software (SEI proprietary software)	
Files	.pdf, .dxf, .lft	
Control unit	Industrial computer, 24 inch monitor	
Operating system	Windows 10	



Creasing



Braille



Embossing

