

# KLIMTJET



# KLIMTJET

## REDEFINING DIGITAL EMBELLISHMENT



SEI LASER is setting a new benchmark for premium finishing with its Digital Embellishment technology.

The core of this system, the proprietary **KLIMTJET**, delivers exceptional embellishment effects, making sophisticated features like **Selective High Resolution Varnishing** and **Digital High Resolution Cold Foil** achievable.



### Cutting-Edge Technology and Process

The Klimtjet unit leverages high-precision print heads to offer dynamic digital embellishment.

This system is distinguished by its dual capacity: it not only jets a specialized selective varnish that is instantly cured by a UV Led pinning Lamp and a full range UV Lamp, but it also accurately deposits a special ink/glue required for digital foiling.

This innovative approach allows users to apply striking metallic effects, including gold, silver, and various decorative foils, alongside the high resolution spot varnish.

The robust, low temperature curing mechanism ensures that the system remains fully compatible with virtually all face stock substrates, including delicate ones that typically demand dedicated settings for successful polymerization.





## Simplicity, Speed, and Waste Reduction

The workflow has been drastically simplified. Intuitive software assists the user in selecting options, enabling immediate production starts with zero material waste. Notably, there is no need to pre-treat or coat the face stock materials, which eliminates the risk of altering their surface texture.

The **KLIMTJET** unit for digital finishing represents the latest innovation from SEI LASER. It allows you to customize and enhance labels in a single pass, completely eliminating tooling costs, ensuring instant start-up, and providing significant savings in time and material.

Being a fully modular system, it is perfectly aligned with the requirements of Industry 4.0/5.0.





- |                     |                      |                       |
|---------------------|----------------------|-----------------------|
| 1. Main unwinder    | 5. Web guide         | 9. Final UV cure lamp |
| 2. Splicing table   | 6. Web-Cleaner       | 10. Buffer            |
| 3. Servo drive      | 7. Printer interface | 11. Flexo varnishing  |
| 4. Corona Treatment | 8. KyoJet system     | 12. KlimtJet system   |

## LabelMaster, KyoJet & KlimtJet

For a perfect full digital experience.

A complete line for digital printing, embellishment, die-cutting, slitting & rewinding

**FULLY  
AUTOMATIC**

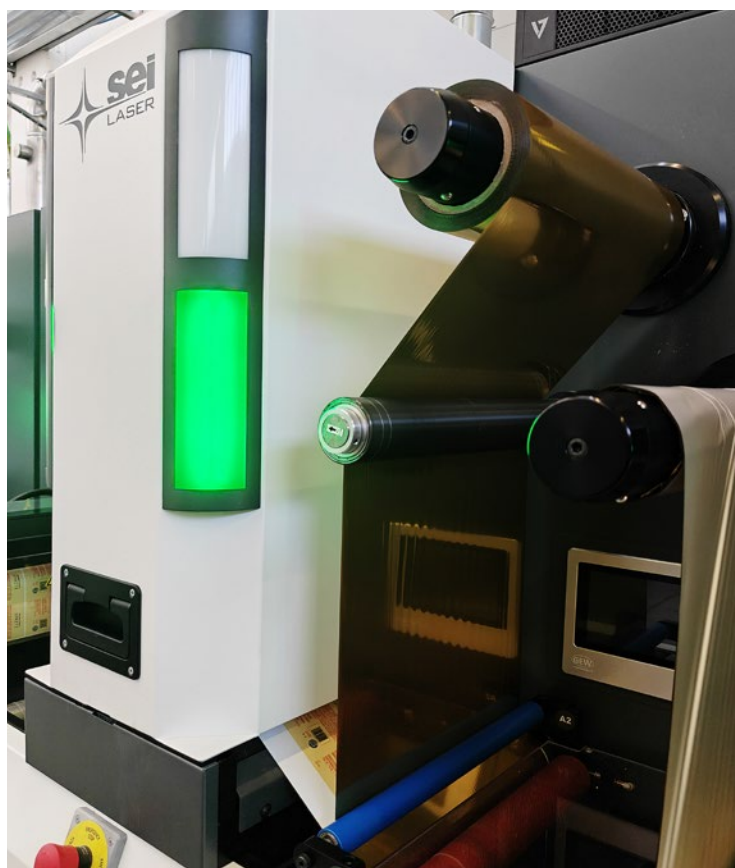




- 13. Foil unwinder
- 14. Main interface
- 15. QR Code reader
- 16. Laser cutting

- 17. Full cut device
- 18. Automatic back scorer
- 19. Heating plate
- 20. Waste matrix rewriter

- 21. Automatic scissor knives
- 22. Turret rewriter
- 23. Main rewriter



# KLIMTJET - SPECIFICATIONS



## PRINTHEAD TECHNOLOGY

Single or Dual Array  
High Resolution  
Automatic cleaning system

## FULL DIGITAL WORKFLOW

On-line 4.0/5.0 integration  
Automatic set up

## PRINTING SPEED

Up to 55mt/min  
(180 feet/min)

## MATERIAL HANDLING

Max printing width  
330mm (13")  
Max web width  
360mm (14,17")

## UV CURING SYSTEM

Low heat UV Pinning Led  
+ Full range Curing System

## KYO INKS VARNISH&GLUE

UV curable ink/glue  
specifically formulated for  
high-speed single pass  
process  
Ink storage 5L  
Automatic ink refill system

## IMAGE PROCESSING SYSTEM

Windows PC running  
Onyx RIP

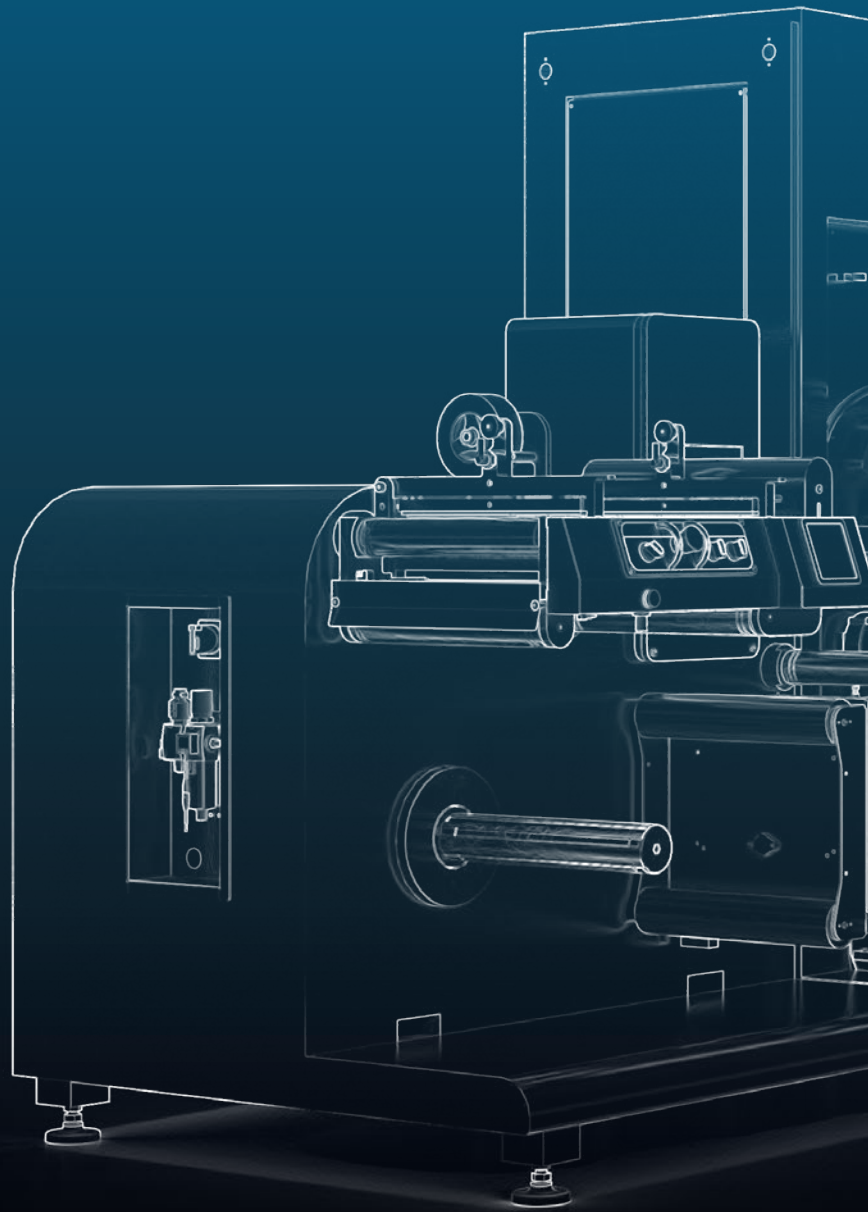
## DIGITAL PRINTING SYSTEM

Drop on demand

## PRINT RESOLUTION

600X600 dpi  
900X600 dpi  
1200X600 dpi





SEI S.p.A.  
Via R. Ruffilli, 1  
24035 Curno (BG) - Italy  
T. +39 035 4376016  
F. +39 035 463843  
info@seilaser.com  
www.seilaser.com